

Conveyor system FS

F45

FT

FS

FL

FLP

F65

FM

FMP

F85

F85P

FH

FK

FKP

FB140

FB175

FB295

SPIRAL

FW

FLX

FMX

FHX

FBX175

FBX295

ACC

CA

FC

TOOL

IDX

Contents

Chains 2

Conveyor beam 4

End drive units 7

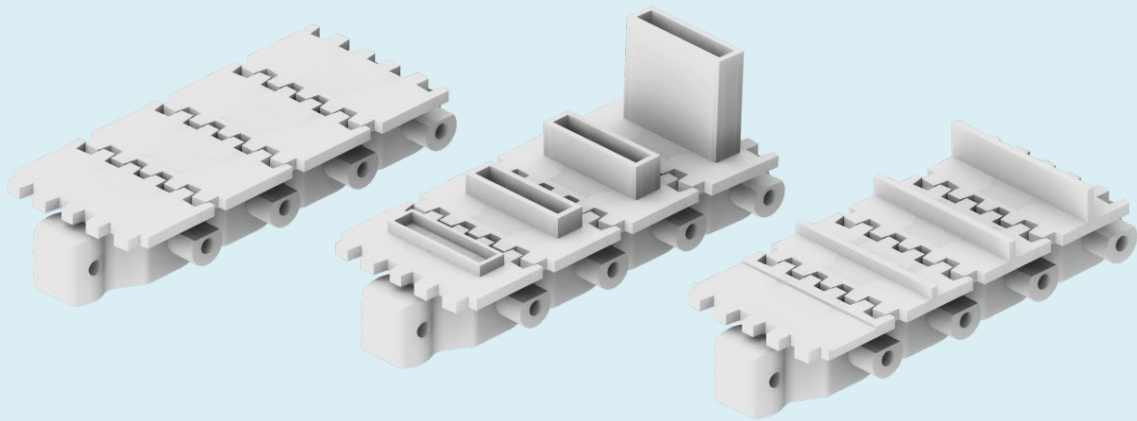
Idler units 10

Horizontal wheel bends 11

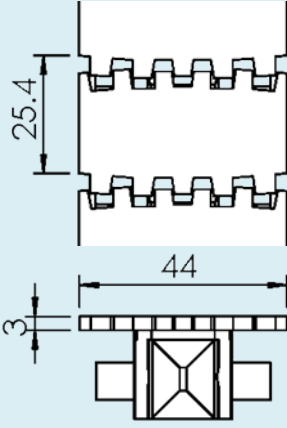
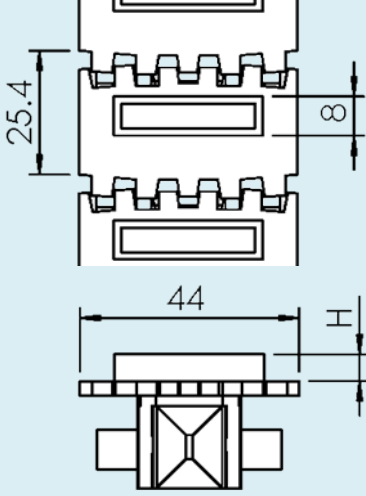
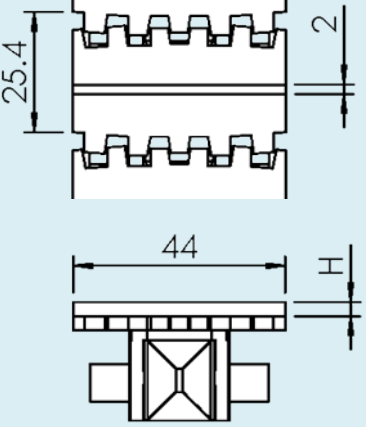

Horizontal plain bend 13

Vertical bends 15

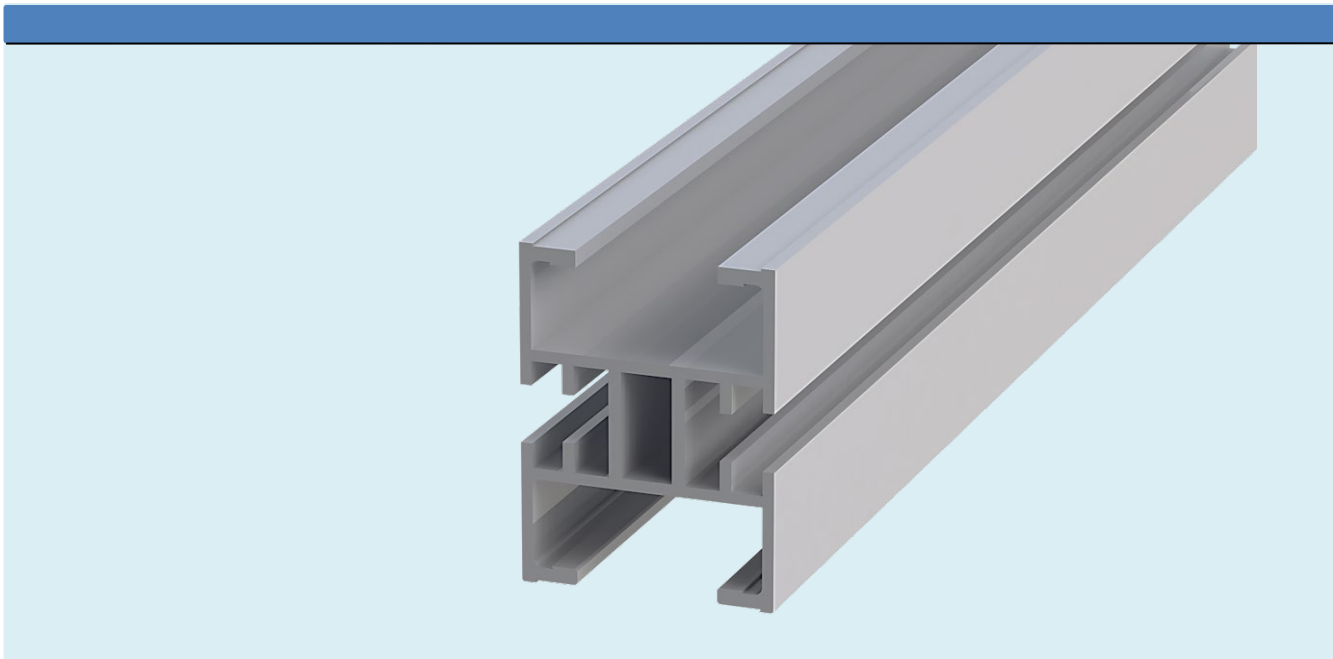
Chains



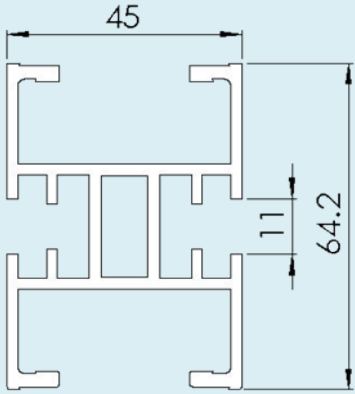
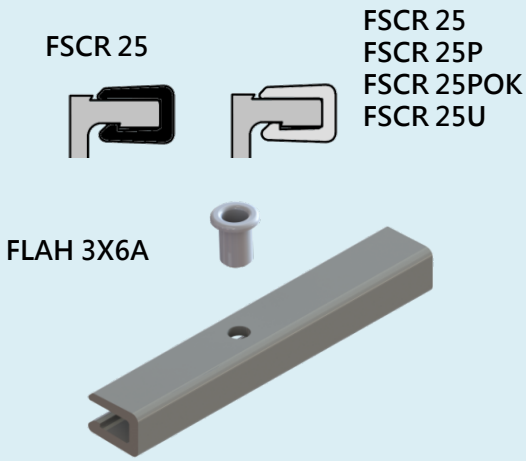
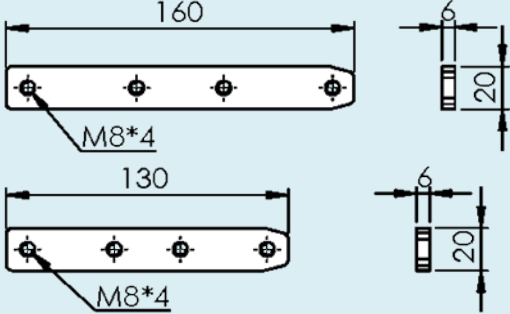
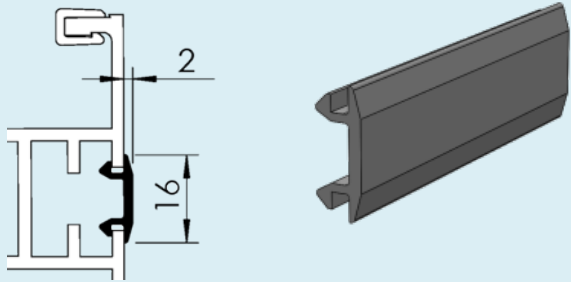
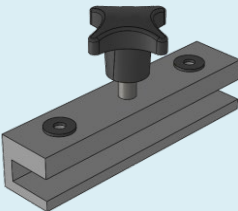
Chains

Plain chain			F45
FSTP 5	Plain chain Length 5 m		FT
FSTL 44	Plain link		FS
Cleated chain Type D cleats			FL
FSTF 5X3D...	H=3		FLP
FSTF 5X5.5D...	H=5.5		F65
FSTF 5X9D...	H=9		FM
FSTF 5X20D...	H=20		FMP
FSTF 5X27D...	H=27		F85
Cleated link			F85P
FSTL 44X3D	H=3		FH
FSTL 44X5.5D	H=5.5		FK
FSTL 44X9D	H=9		FKP
FSTL 44X20D	H=20	FB140	
FSTL 44X27D	H=27	FB175	
Cleated chain Type G cleats			FB295
FSTF 5X3G...	H=3		SPIRAL
FSTF 5X5G...	H=5		FW
FSTF 5X9G...	H=9		FLX
Cleated link			FMX
FSTL 44X3G	H=3		FHX
FSTL 44X5G	H=5		FBX175
FSTL 44X9G	H=9	FBX295	
Tools and accessories			ACC
FLTT 9X16	Plastic pivot		CA
FLTD 4X36	Steel pin		FC
FLMJ 4	Pin insertion tool		TOOL
FDSS 450	Silicone-based lubricant		IDX

Conveyor beam



Conveyor beam

<p>Beam</p> <p>FSCB 3 Length 3 m</p>		<p>F45</p> <p>FT</p> <p>FS</p> <p>FL</p> <p>FLP</p> <p>F65</p> <p>FM</p> <p>FMP</p>
<p>Slide rail</p> <p>Length 25 m</p> <p>FSCR 25 Polyethylene HDPE White/Black</p> <p>FSCR 25U UHMW White</p> <p>FSCR 25P PVDF</p> <p>FSCR 25POK POK</p> <p>FSCR 25H PA6+HDPE</p> <p>FLAH 3X6A Aluminium rivet</p>	 <p>FSCR 25</p> <p>FSCR 25U FSCR 25P FSCR 25POK FSCR 25H</p> <p>FLAH 3X6A</p>	<p>F85</p> <p>F85P</p> <p>FH</p> <p>FK</p> <p>FKP</p> <p>FB140</p> <p>FB175</p> <p>FB295</p> <p>SPIRAL</p>
<p>Connecting strip with set screws</p> <p>FSCJ 6X160 Length 160</p> <p>FSCJ 6X130 Length 130</p>	 <p>M8*4</p> <p>M8*4</p>	<p>FW</p> <p>FLX</p> <p>FMX</p> <p>FHX</p> <p>FBX175</p> <p>FBX295</p>
<p>T-slot cover, 50M/Rol</p> <p>FLAB 50 Length 50 m</p>	 <p>2</p> <p>16</p>	<p>ACC</p> <p>CA</p> <p>FC</p> <p>TOOL</p> <p>IDX</p>
<p>F3924774 Drill fixture for slide rail</p>		

Conveyor beam

Beam outer

FSCB 3H

Length 3 m

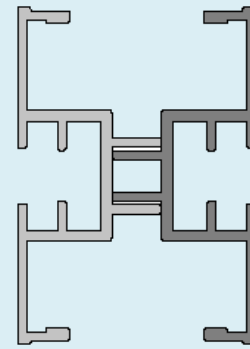
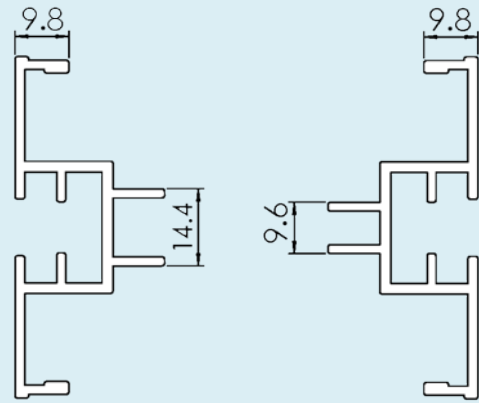
Beam inner

FSCB 3J

Length 3 m

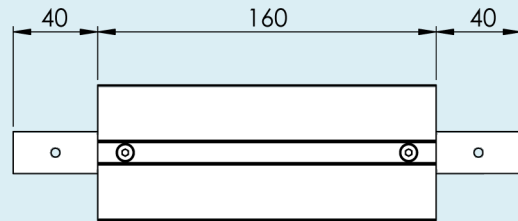
FSCB 3H

FSCB 3J



FSCC 160

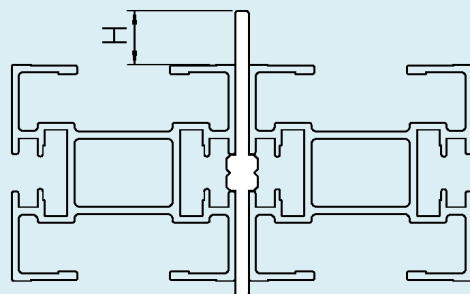
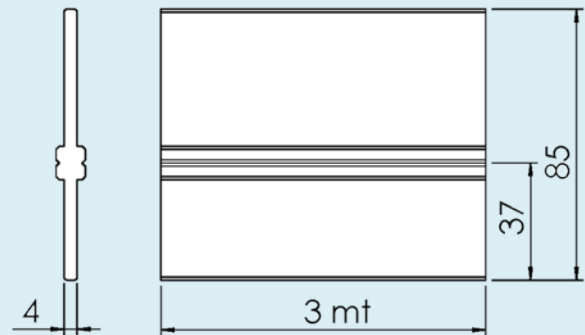
Beam section for chain installation including connection strips and screws



Beam spacer

FLCD 3

Aluminium, anodized
Length 3 m

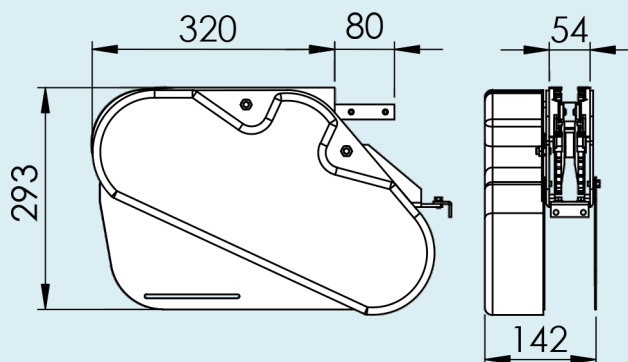


FS	H=16.0
FL/F65	H=15.9
FM/F85/FH	H=10.5
FK	H=0.5

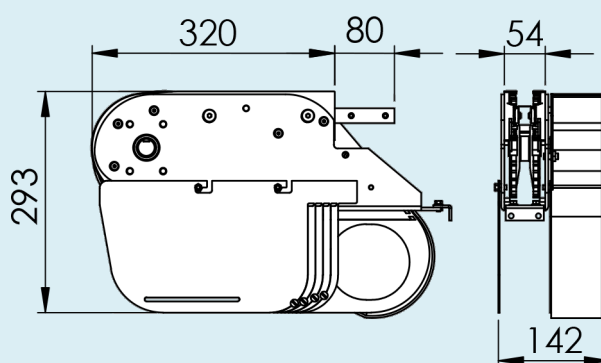
End drive units



FSEB 0HLA Drive unit
Transmission on left-hand side



FSEB 0HRA Drive unit
Transmission on right-hand side

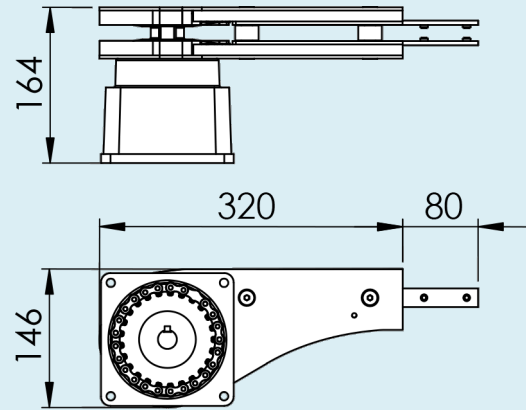


Maximum weight on conveyor : 150 kg
Maximum conveyor length : 30 M
Maximum conveyor speed : 60 M/min

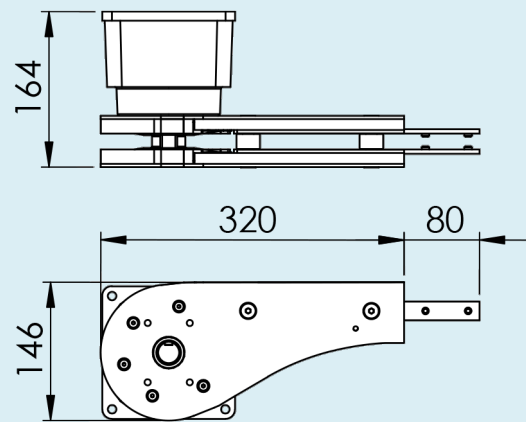
- F45
- FT
- FS**
- FL
- FLP
- F65
- FM
- FMP
- F85
- F85P
- FH
- FK
- FKP
- FB140
- FB175
- FB295
- SPIRAL
- FW
- FLX
- FMX
- FHX
- FBX175
- FBX295
- ACC
- CA
- FC
- TOOL
- IDX

End drive units

FSEB 0HLGP Drive unit
Direct drive w/o slack
left-hand side

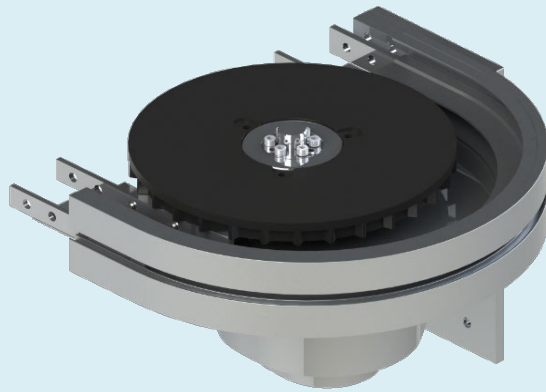


FSEB 0HRGP Drive unit
Direct drive w/o slack
right-hand side

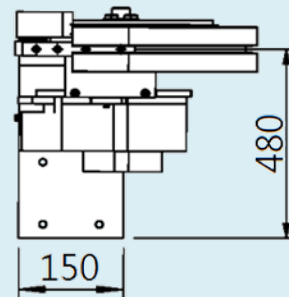
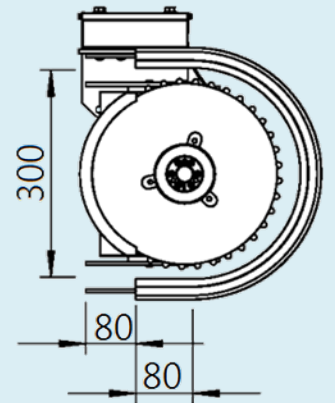


Maximum weight on conveyor : 150 kg
Maximum conveyor length : 30 M
Maximum conveyor speed : 60 M/min

Horizontal bend drive unit



FSEW 180/0H Horizontal bend drive unit, 180°



Maximum weight on conveyor : 150 kg
 Maximum conveyor length : 30 M
 Maximum conveyor speed : 60 M/min

F45

FT

FS

FL

FLP

F65

FM

FMP

F85

F85P

FH

FK

FKP

FB140

FB175

FB295

SPIRAL

FW

FLX

FMX

FHX

FBX175

FBX295

ACC

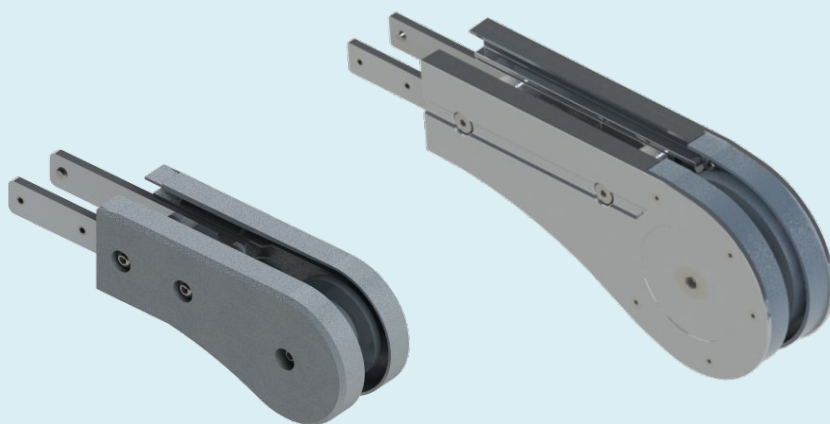
CA

FC

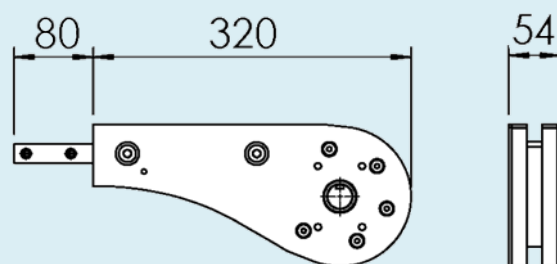
TOOL

IDX

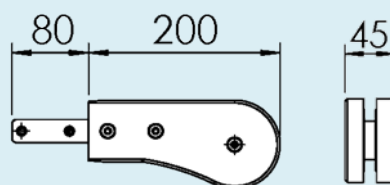
Idler end units



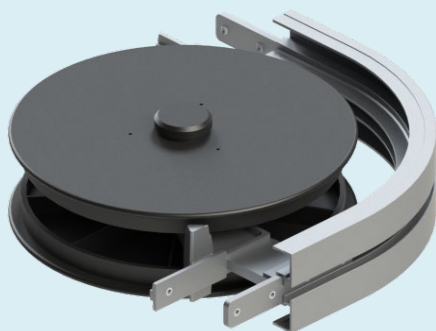
FSEJ 320 Idler end unit



FSEJ 200 Idler end unit
Polyamide



Horizontal wheel bends



F45

FT

FS

FL

FLP

F65

FM

FMP

F85

F85P

FH

FK

FKP

FB140

FB175

FB295

SPIRAL

FW

FLX

FMX

FHX

FBX175

FBX295

ACC

CA

FC

TOOL

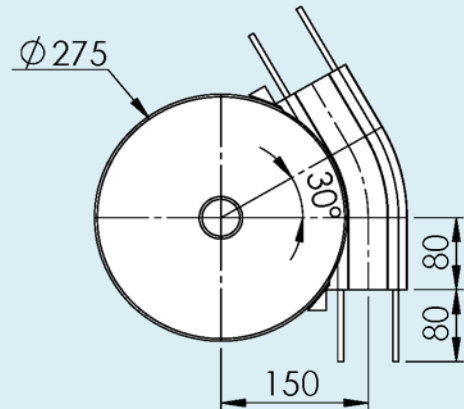
IDX

Horizontal wheel bends

Horizontal wheel bend, 30 °

FSBH 30R150 Radius to center of chain 150

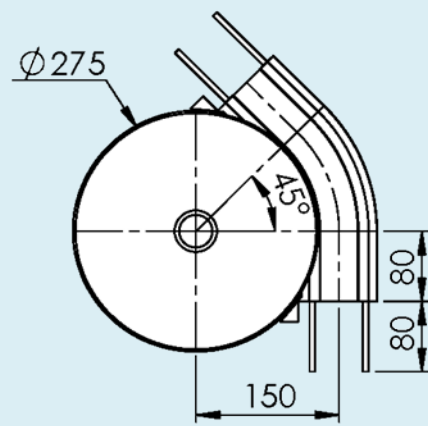
FSBH 30R150A with protective cover



Horizontal wheel bend, 45 °

FSBH 45R150 Radius to center of chain 150

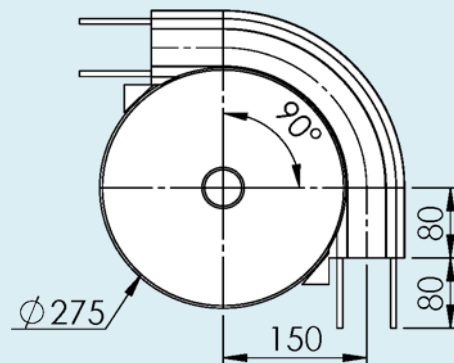
FSBH 45R150A with protective cover



Horizontal wheel bend, 90 °

FSBH 90R150 Radius to center of chain 150

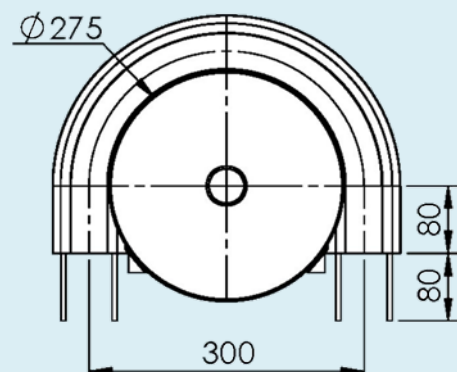
FSBH 90R150A with protective cover



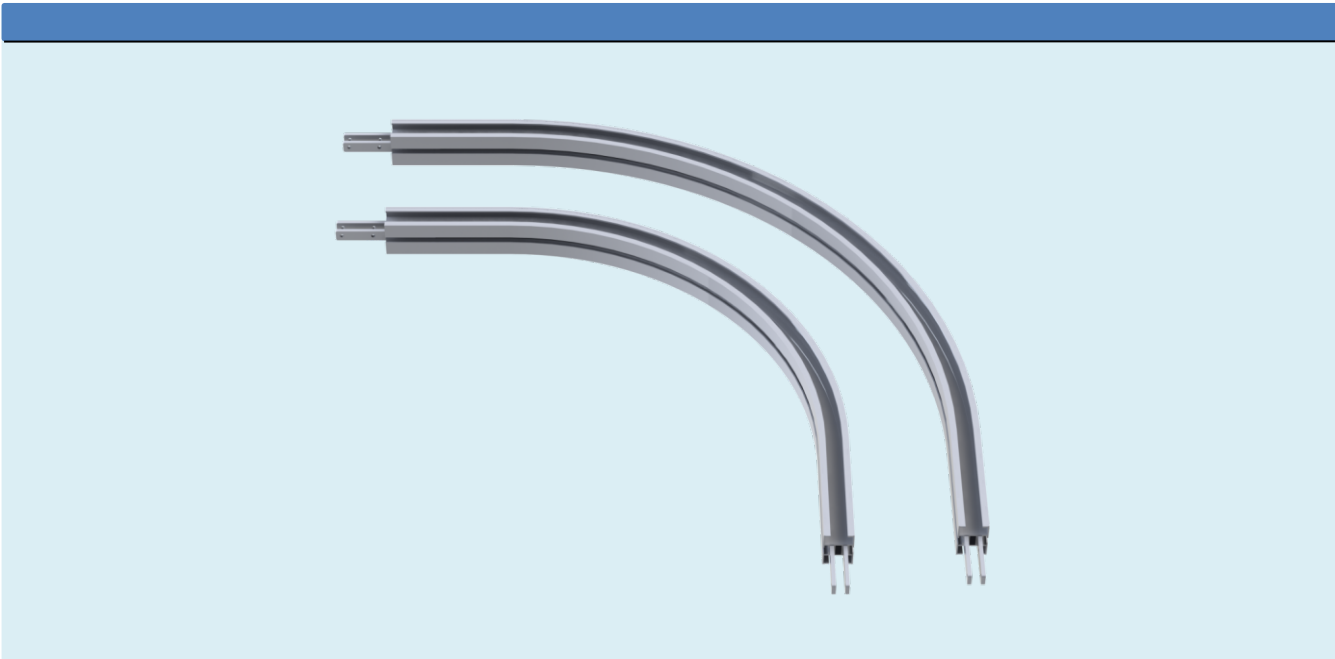
Horizontal wheel bend, 180°

FSBH 180R150 Radius to center of chain 150

FSBH 180R150A with protective cover



Horizontal plain bends



F45

FT

FS

FL

FLP

F65

FM

FMP

F85

F85P

FH

FK

FKP

FB140

FB175

FB295

SPIRAL

FW

FLX

FMX

FHX

FBX175

FBX295

ACC

CA

FC

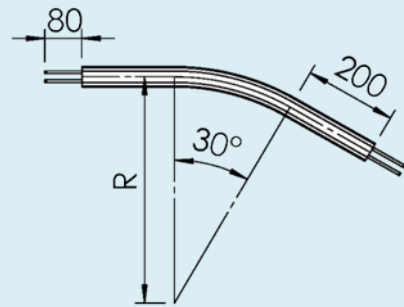
TOOL

IDX

Horizontal plain bends

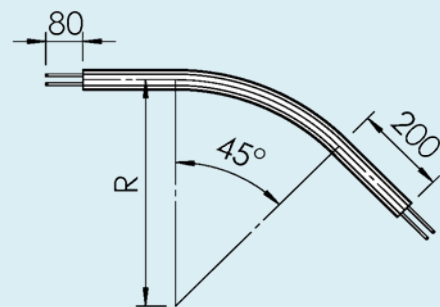
Horizontal plain bend, 30°
Radius to center of beam:

FSBP 30R500 R=500
FSBP 30R700 R=700
FSBP 30R1000 R=1000



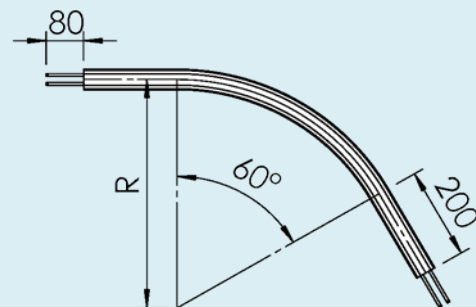
Horizontal plain bend, 45°
Radius to center of beam:

FSBP 45R500 R=500
FSBP 45R700 R=700
FSBP 45R1000 R=1000



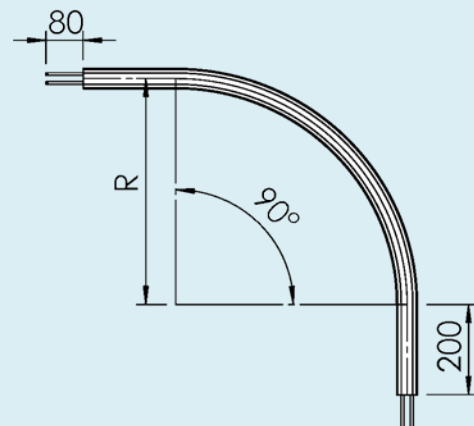
Horizontal plain bend, 60°
Radius to center of beam:

FSBP 60R500 R=500
FSBP 60R700 R=700
FSBP 60R1000 R=1000



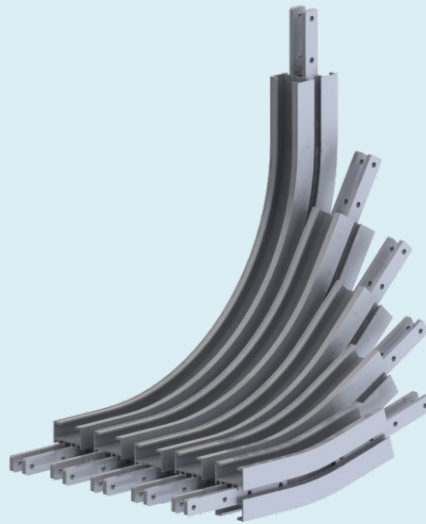
Horizontal plain bend, 90°
Radius to center of beam:

FSBP 90R500 R=500
FSBP 90R700 R=700
FSBP 90R1000 R=1000



* Note: Special angles on request.

Vertical bends



F45

FT

FS

FL

FLP

F65

FM

FMP

F85

F85P

FH

FK

FKP

FB140

FB175

FB295

SPIRAL

FW

FLX

FMX

FHX

FBX175

FBX295

ACC

CA

FC

TOOL

IDX

Vertical bends

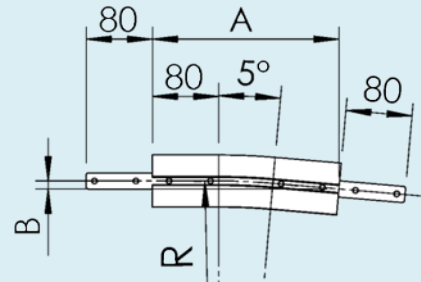
Vertical bend, 5°

Radius to center of beam:

FSBV 5R300 R=300

FSBV 5R400 R=400

	R	A	B
FSBV 5R300	300	186	8
FSBV 5R400	400	195	9



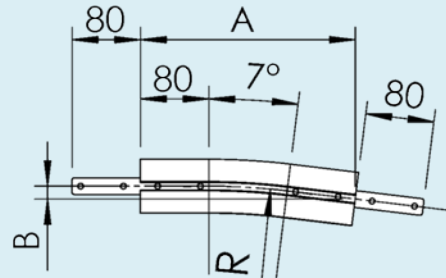
Vertical bend, 7°

Radius to center of beam:

FSBV 7R300 R=300

FSBV 7R400 R=400

	R	A	B
FSBV 7R300	300	196	12
FSBV 7R400	400	208	13



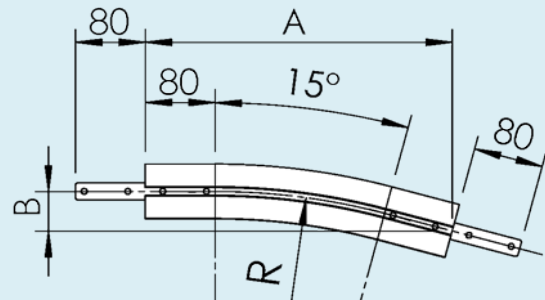
Vertical bend, 15°

Radius to center of beam:

FSBV 15R300 R=300

FSBV 15R400 R=400

	R	A	B
FSBV 15R300	300	235	31
FSBV 15R400	400	261	34



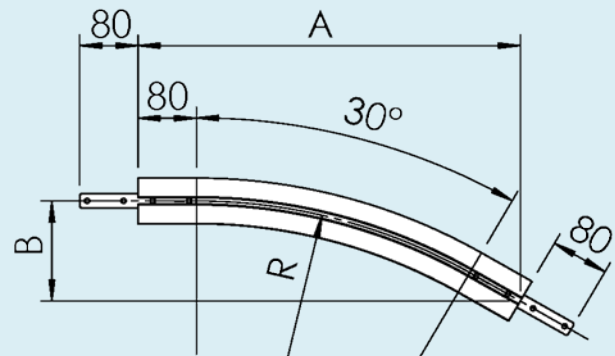
Vertical bend, 30°

Radius to center of beam:

FSBV 30R300 R=300

FSBV 30R400 R=400

	R	A	B
FSBV 30R300	300	299	80
FSBV 30R400	400	349	94



* Note: Special angles on request.

Vertical bends

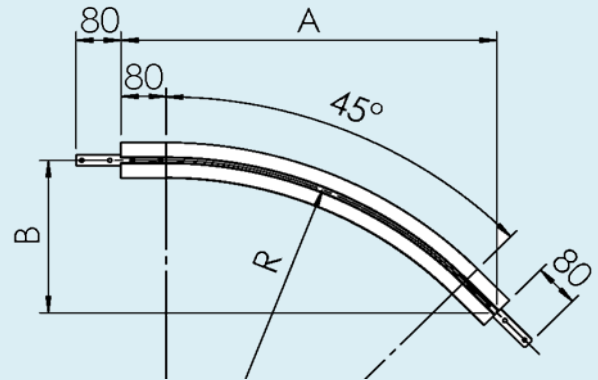
Vertical bend, 45°

Radius to center of beam:

FSBV 45R300 R=300

FSBV 45R400 R=400

	R	A	B
FSBV 45R300	300	349	145
FSBV 45R400	400	419	174



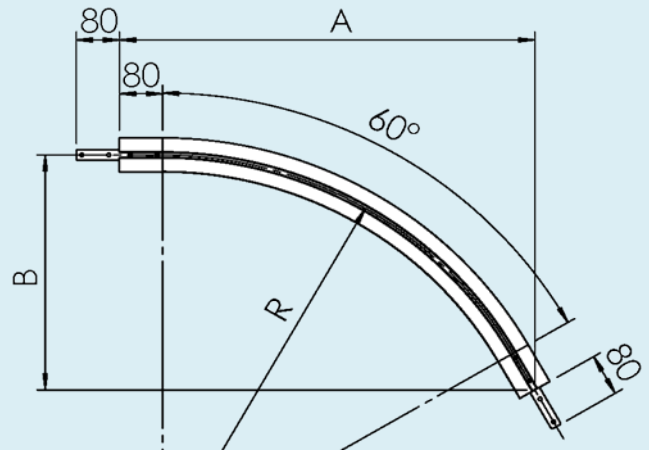
Vertical bend, 60°

Radius to center of beam:

FSBV 60R300 R=300

FSBV 60R400 R=400

	R	A	B
FSBV 60R300	300	380	219
FSBV 60R400	400	466	269



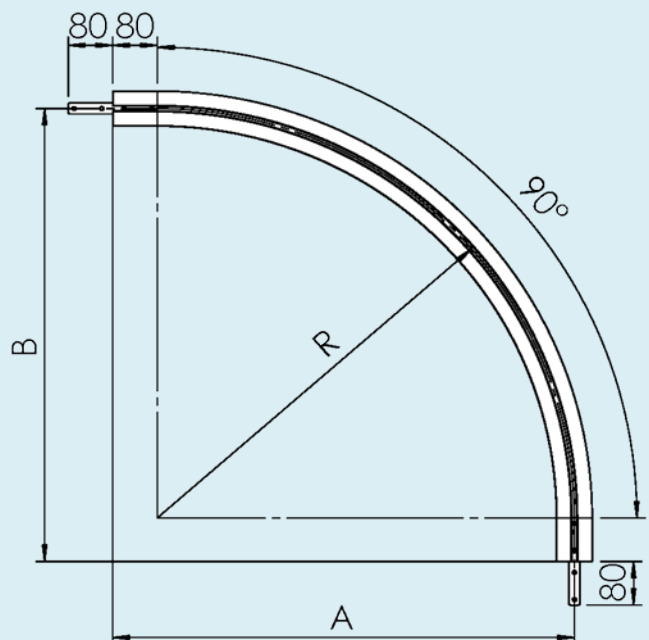
Vertical bend, 90°

Radius to center of beam:

FSBV 90R300 R=300

FSBV 90R400 R=400

	R	A	B
FSBV 90R300	300	380	380
FSBV 90R400	400	480	480



F45

FT

FS

FL

FLP

F65

FM

FMP

F85

F85P

FH

FK

FKP

FB140

FB175

FB295

SPIRAL

FW

FLX

FMX

FHX

FBX175

FBX295

ACC

CA

FC

TOOL

IDX

* Note: Special angles on request.

